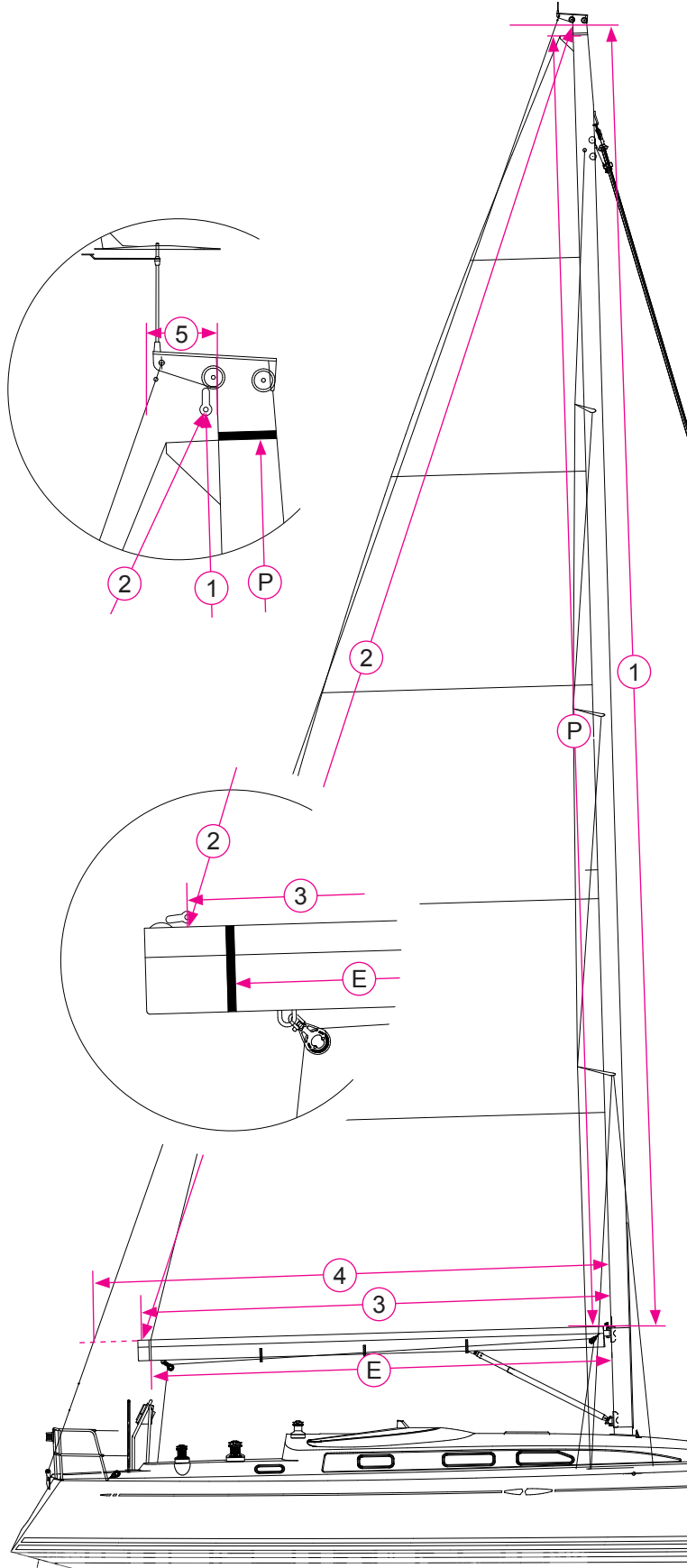




**QUANTUMSAILS™**

## Mainsail Dimensions

Name		Phone		Date	
Boat		Year		Sail Number	
Boat Name		Cert Type		Number Color	



All Dimensions in meters

### Standard Dimensions

P	Mainsail Luff	
E	Mainsail Foot	

### Rig Dimensions

1	Two Blocked Luff	
2	Maximum Leech	
3	Two Blocked Foot	
4	Back of mast to backstay (along boom)	
5	Distance to backstay at max hoist	

### Mast Characteristics

Rig Type	<input type="checkbox"/> Masthead <input type="checkbox"/> Fractional
Mast width (Fore and Aft)	
Mast Construction	<input type="checkbox"/> Alu <input type="checkbox"/> Carbon <input type="checkbox"/> Wood
Spreaders	<input type="checkbox"/> Inline <input type="checkbox"/> Swept
Number of Spreaders	
Jumper Spreaders	<input type="checkbox"/> Yes <input type="checkbox"/> No
Runner Height	
Check stay Height	
Babystay	<input type="checkbox"/> Yes <input type="checkbox"/> No
Backstay Adjuster	<input type="checkbox"/> None <input type="checkbox"/> Turnbuckle <input type="checkbox"/> Hydraulic <input type="checkbox"/> Purchase <input type="checkbox"/> Split <input type="checkbox"/> Winch

Mast Bend	Pre Bend	Working Bend
75%		
50%		
25%		
Max Bend		
Mast Rake		

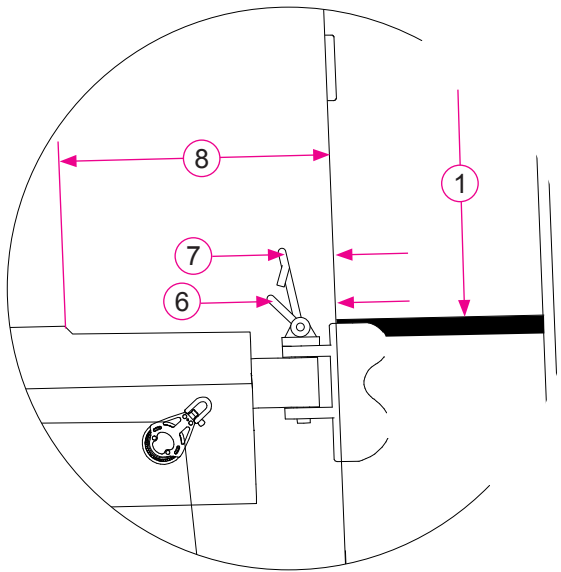
### Boom Characteristics

Clew Slug Type	
Clew Car	<input type="checkbox"/> Yes <input type="checkbox"/> No (see 15)
Number of Reef Lines	
Reef Blocks on Boom	<input type="checkbox"/> Yes <input type="checkbox"/> No (see 19 - 21)
Single Line Reefing	<input type="checkbox"/> Yes <input type="checkbox"/> No (see 7)
Luff Reef Attachment	

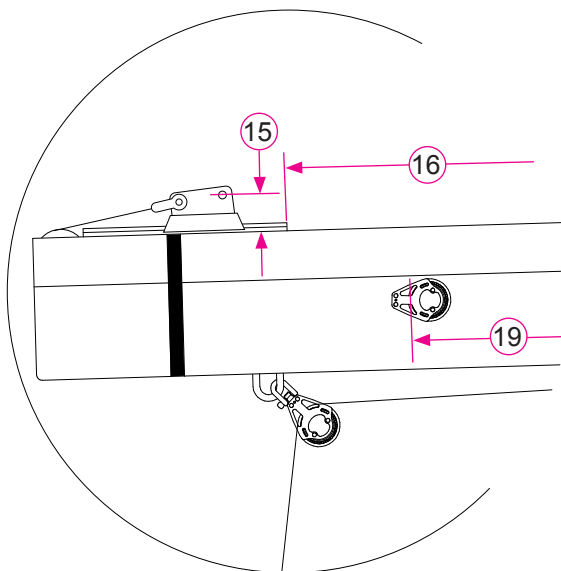


**QUANTUMSAILS™**

**Mainsail Dimensions**

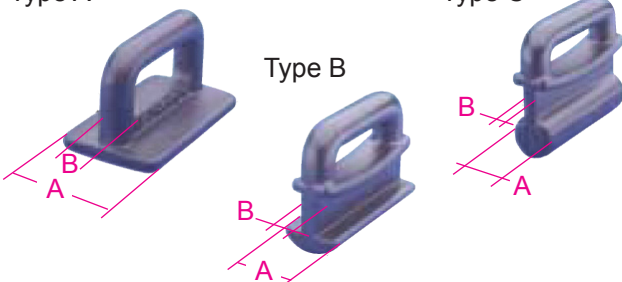


Measured from top of P Measurement	
9	Tack Pin Up (Moveable fittings keep at 45° angle)
10	Reef Hook Up (Moveable fittings keep at 45° angle)
11	Bottom of Mast Gate
12	Top of Mast Gate
13	Height of Additional Feeder (if present)
14	Height of Slide Stop (if present)

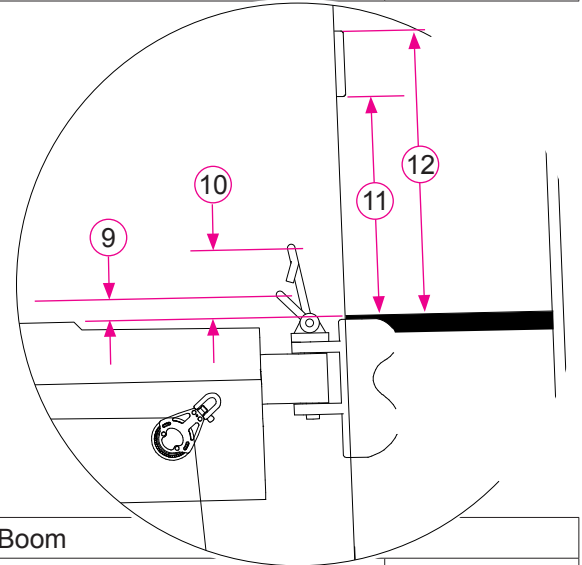


Type A

Type C



Measured from Back of Mast	
6	Tack Pin Aft (Moveable fittings keep at 45° angle)
7	Reef Hook Aft (Moveable fittings keep at 45° angle)
7.1	Reef 1: <input type="checkbox"/> Port <input type="checkbox"/> Starboard <input type="checkbox"/> Both
7.2	Reef 2: <input type="checkbox"/> Port <input type="checkbox"/> Starboard <input type="checkbox"/> Both
7.3	Reef 3: <input type="checkbox"/> Port <input type="checkbox"/> Starboard <input type="checkbox"/> Both
8	Foot Groove Aft



Measured on Boom	
15	Clew Pin up
16	Back of mast to track start
17	Halyard schackle pin diameter
18	Halyard schackle throat width
External Reef Blocks (if present)	
19	Reef Block Aft - Reef 1
20	Reef Block Aft - Reef 2
21	Reef Block Aft - Reef 3

Luff Hardware	
<input type="checkbox"/> Type A <input type="checkbox"/> Type B <input type="checkbox"/> Type C <input type="checkbox"/> Rope <input type="checkbox"/> Other - Please Specify	
A	Width
B	Throat
C	Rope Diameter

Foot Hardware	
<input type="checkbox"/> Type A <input type="checkbox"/> Type B <input type="checkbox"/> Type C <input type="checkbox"/> Rope <input type="checkbox"/> Other - Please Specify	
A	Width
B	Throat
C	Rope Diameter

External Track System (if present)	
	Track Builder
a	Track Width
b	Max Height of Headboard Car
c	Bottom of track
d	Height of Intermediate Car
e	Back of mast to center of pin
f	Height of Batten Car
g	Back of mast to thread stop
h	Thread diameter
i	Height of headboard car
j	Back of mast to headboard carriage pin
k	Headboard carriage pin diameter
l	Width of headboard carriage
	Number of Intermediate Cars
	Luff attachment at Intermediate Cars
	Number of Full Batten Cars
	Luff attachment at Full Batten Cars



**QUANTUMSAILS™**

